

Make your dream home a reality



Designed for future living

Are you looking for a cosy, comfy, energy efficient home with a beautiful rendered finish that won't cost the earth? Look no further.

A Hebel® Home has everything you're looking for.

Hebel® is designing the long-term future of Australian living with environmentally responsible building systems that provide comfort and performance with a high level of design flexibility.

Whether you're building your dream home from the ground up or renovating your home - out or up – Hebel® building systems offer significant benefits over alternative building materials.

Systems designed to suit your style

Hebel® is Australia's leading manufacturer of autoclaved, aerated concrete (AAC), an amazingly innovative building material that has been used in Europe for more than 50 years. AAC delivers the benefits of traditional masonry such as strength, fire and pest resistance and with its unique cellular structure, it provides superior acoustic and thermal insulation, whilst still delivering a level of thermal mass to help heating and cooling systems work more efficiently.

In Australia, there are two basic methods of building homes. The first and most common is the framed construction method, traditionally used for brick veneer over a timber frame. The second is the solid, or loadbearing construction method, generally used for double brick or block homes. Whichever method you choose for building your home, Hebel® has systems to suit.

Hebel® PowerPanel™ is the modern, steel-reinforced building system for framed construction that provides comfort and energy savings as well as a beautiful rendered look at an economical cost.

Hebel® Block is the traditional, premium AAC building system that caters for frameless, loadbearing construction for homes with exceptional performance.

Designed for a better environment



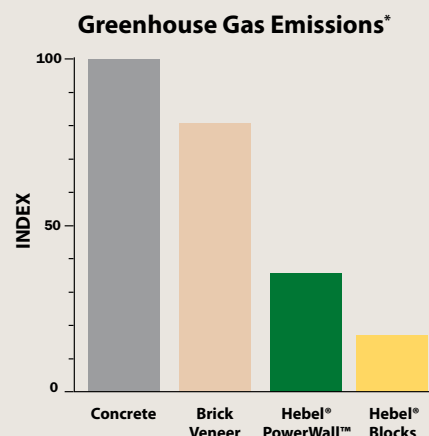
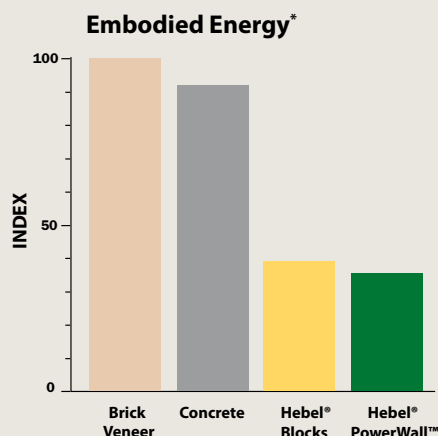
HEB - 2006
Environmentally Innovative Products

The low bulk density of Hebel® AAC means that less than a quarter of the resources and raw materials are used in its production than for other masonry products. Major raw materials are sourced locally to minimise energy used in transport.

Hebel® has been independently assessed by Good Environmental Choice Australia (GECA) in comparison to other building products with the same application. As a result, Hebel® is proud to have been awarded the GECA Label for each of its products and systems.

To qualify for the GECA endorsement, Hebel® products and systems needed to show significantly reduced environment loads of at least 30% over their life-cycle. In some cases, Hebel's benefits were even stronger (up to 60%).

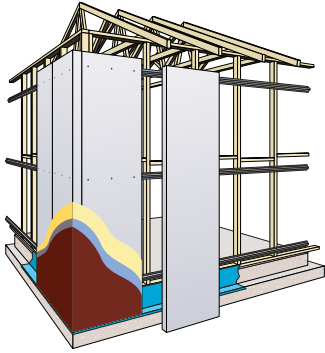
By choosing Hebel® you can feel good in the knowledge that you have chosen a building material that has a lower impact on our environment compared to standard masonry.



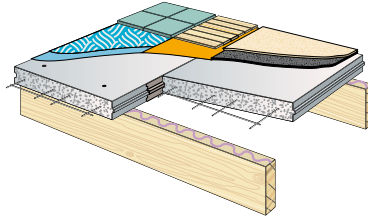
*Source: LCA Report GECA 2006

Designed for all your needs

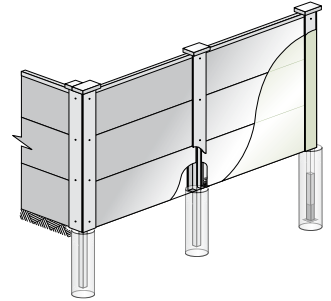
Whether you're building your dream home, a shed, deck or fence, Hebel® has a system that will suit your project.



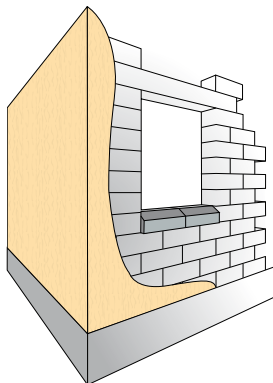
Hebel® PowerWall™



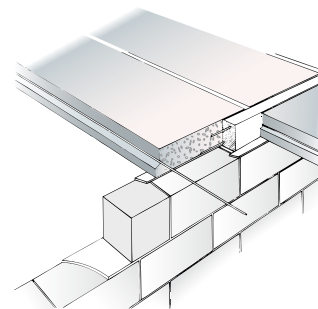
Hebel® PowerFloor™



Hebel® PowerFence™



Hebel® Block Walls



Hebel® Floor Panels

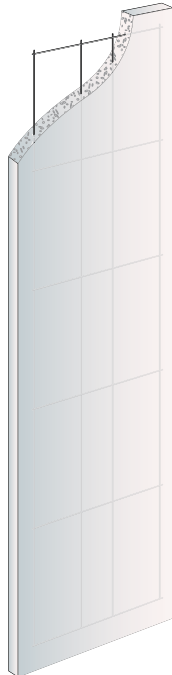
Framed construction



The power is in the Panel

- Steel-reinforced PowerPanels with a solid masonry feel
- Great thermal performance
- Excellent acoustic properties
- Panels are non-combustible
- Not a food source for termites or vermin

The core component of Hebel® panel based systems is the 75mm thick, steel mesh reinforced PowerPanel™ which is supplied in various lengths and profiles to suit wall, floor and fencing requirements.



For walling applications, a 3 metre Hebel® PowerPanel™ is equivalent to around 90 bricks which makes installation faster with less mess or wastage during construction.

The tight manufacturing tolerances in the Hebel® production process ensures that the perfectly flat surfaces of PowerPanel™ provide an ideal surface to accept a wide variety of acrylic textured finishes with very little additional surface preparation.

For flooring, this means a beautifully flat surface for today's more 'difficult to lay' flooring finishes such as porcelain tiles and parquetry.

PowerWall™

For external walls



Hebel® PowerWall™ is the external cladding system of choice for many award winning Australian designers and architects.

The system consists of Hebel® PowerPanels™ fixed vertically to horizontal battens that are attached to the loadbearing frame. The panels are glued together to provide a perfectly flat and smooth finish - ideal for a beautiful and increasingly popular rendered finish.

Consider the substantial benefits that Hebel® PowerWall™ provides:

- **Superior thermal insulation** - you'll spend less on heating and cooling and enjoy a more even temperature inside your home.
- **Non-combustible PowerPanels** - provides excellent fire resistance which is ideal for bushfire prone areas.
- **Greater living area** - slimmer external walls compared to brick allows more internal space for the same building footprint.



- **Solid and strong** - steel-reinforced masonry panels for added security and peace of mind.
- **Look great** - popular rendered finish
- **Revolutionary high performance coatings.**

PowerFloor™

For first floors, suspended ground floors, decks and balconies



Hebel® PowerFloor™ is a solid flooring system that provides excellent acoustic and thermal insulation to help make living in your home a more comfortable experience.

PowerFloor™ panels are glued and screwed to timber or steel framing. It is this composite action that results in greater resistance to bounce and flex making Hebel® PowerFloor™ an excellent, stable base for tile, slate, marble and other hard surface flooring. It is also perfectly suited to carpet, vinyl, timber boards and decorative finishes.



A quiet word about first floors

If you are looking at building a two storey home or a second storey addition and you're concerned about airborne noise in your home, Hebel PowerFloor™ would be an excellent choice for you.

When combined with resilient mounts, the unique structure of PowerFloor™ is particularly resistant to foot fall noise - the most common noise problem in modern, two storey homes.

The low down on suspended ground floors

If you are building on a sloping site, you will more than likely have a suspended floor. The improved thermal efficiency of Hebel PowerFloor™ can contribute significantly to the energy efficiency rating of your home.

In states that insist on new dwellings satisfying certain measurable criteria, Hebel® PowerFloor™ can actually reduce the reliance on other design changes which may be necessary to comply such as double glazing and reduced window sizes.

Ask your building designer how Hebel® PowerFloor™ can improve your home's energy efficiency.



Hebel® PowerFence™ is a cost effective, acoustic barrier fencing system which gives you a high level of design flexibility.

The system is made up of horizontal Hebel® panels and purpose designed steel posts in concrete footings.

The modular nature of the system design and the variety of finish choices available make PowerFence™ a smart choice for boundary fencing and as an alternative to standard masonry for low front fences.

Hebel® PowerFence™ has some exciting benefits:

- **Great acoustic insulation** - for added peace and privacy in your outdoor areas
- **Solid and durable** - steel-reinforced panels combined with a suitable acrylic finishing system provide a strong, long-lasting fence
- **Flexible design** - can be constructed in a variety of ways and teamed with other materials to achieve a unique look
- **Won't burn** - essential in bushfire prone areas

Thinking of renovating?



The value, appearance and comfort levels of your home can be dramatically improved by using Hebel® systems for renovations or additions.

Whether you're simply adding a deck or adding another level to your home, Hebel® systems are an ideal choice.

Hebel® PowerWall is a relatively straightforward replacement for fibre cement sheeting or weatherboard. If you are extending a brick home, you can achieve an amazing transformation rendering the existing part to match the new.



Solid home construction



Build a premium home with Hebel® Blocks

- Exceptional thermal and acoustic insulation properties
- Non-combustible blocks with frameless construction deliver superior fire resistance
- 73% less embodied energy and 61% less greenhouse gas emissions than comparative masonry products*
- Not a food source for termites or vermin and no cavity construction eliminates the chance of harbouring pests

Solid masonry construction has long been regarded as the 'ultimate' home building method.

Hebel® blocks and thick floor panels provide all the benefits of solid construction while allowing you to substantially improve the comfort and living qualities of your home.

The unique properties of Hebel® Autoclaved Aerated Concrete (AAC) Blocks deliver over three times the thermal resistance of double brick while blocking and absorbing sound from outside and between rooms.

The thermal insulation properties of Hebel® blocks provide such a high level of energy efficiency that a home built with

Hebel® blocks can meet Australia's stringent energy efficiency regulations without the need for added bulk insulation.

And building with Hebel® blocks and floor panels is a significant choice for the environment. The production of Hebel® requires around one quarter of the raw materials of other masonry products, produces no toxic gases and almost no waste substances.

By choosing Hebel® you can create a safe, comfortable and energy efficient home comfortable in the knowledge that your choice has minimised the impact on our environment.

* Source: LCA Report GECA 2006



BlockWall

Internal & external walls



Hebel® blocks are large AAC blocks, laid in much the same way as bricks but using Hebel® Adhesive to form a monolithic structure. Typically, external walls use a single skin of 250mm thick blocks while internal, non-loadbearing walls use 100mm thick blocks.

Walls built with Hebel® Blocks are strong and durable, providing you with the security of solid masonry with the added advantages that the unique nature of Hebel® AAC can deliver.

Compared to traditional double brick construction, Hebel® Block Walls can be laid much faster, saving time and building costs. Building with Hebel® Blocks creates more internal floor area for the same building dimensions.

Building with Hebel® Blocks provides loadbearing walls that completely eliminate combustible material from the wall construction making Hebel® an ideal choice for bushfire prone areas.



Floor Panel

Flooring



Hebel® Floor Panels are steel-reinforced AAC panels that are 150mm to 250mm thick with the ability to span up to 6 metres. The flooring system uses a ring anchor to create a flat, solid surface ready for just about any floor covering from carpet to direct fix tiles and timber.

This building system is ideal in solid home construction for second storey flooring or ground floors on sloping sites. It eliminates the need for timber or steel floor framing or pouring of concrete.

The excellent acoustic properties of Hebel® Floor Panels helps to create a tranquil environment within your home without the noise transfer usually experienced with lightweight framed flooring.

When used for exposed ground floors, the exceptional thermal insulation properties of Hebel® Floor Panels can dramatically improve your home's energy efficiency, with four times the thermal resistance of concrete for the same thickness.



Completing your Hebel® Home

The Perfect finish

Hebel® has worked closely with leading coatings manufacturers such as Dulux® to develop a range of finishing options for all Hebel® systems.

From simple acrylic coating systems to high build renders and textures, Hebel® has a system that will meet the aesthetic needs for your new home.

The Hebel® High Performance Coatings brochure has full details about Hebel® finishing systems is available for download from hebelaustralia.com.au



Other Hebel® Block Solutions

There's a Hebel® Block to suit every aspect of your home's construction.

Hebel® Lintels can be used over windows, doors and garage door openings. Hebel® also supplies sill blocks for under windows to complement the overall look of your home.

If you are planning a stairway in your home, Hebel® also manufactures stair trends.

And as Hebel® is easily worked with standard tools, blocks can be shaped and etched to give your home a truly unique character.



Ready to build?



There are many builders and contractors who specialise in Hebel® construction and your local Hebel® distributor can give you some quality recommendations.

If you are contemplating managing your own project as an owner-builder, you'll find that Hebel® systems are easy to understand and install.

Visit hebelaustralia.com.au for more information on building with Hebel® - including design guides and technical details or call and talk to your local Hebel® distributor. A searchable list of distributors is on the website.

Designing for future living

Hebel® is a quality building product, and is backed by CSR Building Products Limited.

Further details on engineering and building with Hebel® systems are available in the Hebel® Design Guides and Technical Manual. To obtain a copy, or for further sales or technical assistance, please visit our website.


Hebel® Website:
hebelaustralia.com.au

For sales enquiries or further information, please telephone us from anywhere in Australia:

1300 369 448

Hebel®
designed for future living

CSR PANEL SYSTEMS
112 Wisemans Ferry Road
Somersby NSW 2250
Fax (02) 9495 7950

 Hebel® is a registered trademark of the Xella group. CSR Panel Systems is an exclusive licensee of Xella.

CSR Panel Systems is a business of CSR Building Products Limited ABN 55 008 631 356.

CSR, PowerWall™, PowerPanel™, PowerFinish™, PowerBase™, HighBuild™, PowerFence™ are trademarks of CSR Building Products Limited.

Dulux®, AcraTex® and Weathershield® are registered trademarks of Orica Australia Pty Ltd.

Guarantee

Hebel® guarantees the products manufactured by itself and the systems described in Hebel® literature for 7 years, subject to the terms and conditions of the Hebel® Guarantee which can be inspected on the Hebel® website at hebelaustralia.com.au. Hebel® does not however guarantee the components, products or services, such as installation, supplied by others.

Hebel® recommends that only products, components and systems recommended by it be used.

Health & Safety

Information on any known health risks of our products and how to handle them safely is on their packaging and/or the documentation accompanying them.

Additional information is listed in the Material Safety Data Sheet (MSDS).

To obtain a copy of a MSDS, telephone 1800 807 668 or download from hebelaustralia.com.au. Contractors are required by law to perform their own risk assessments before undertaking work. Hebel® has sample Safe Work Method Statements (SWMS) to assist in this. To obtain a sample SWMS, refer also to the above sources.

Available from:

CSR