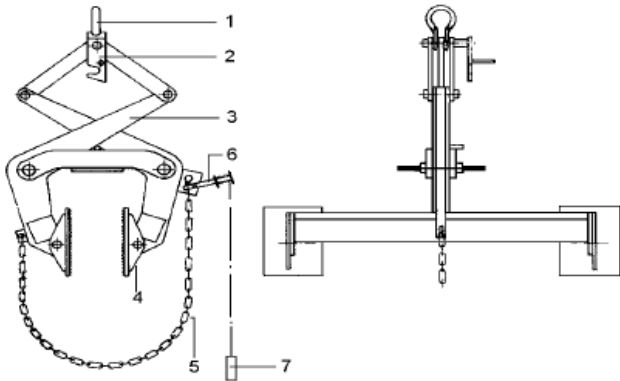




CSR Hebel – Horizontal Wall Panel Lifting Unit

Operating Instructions



- 1. Suspension eye
- 2. Safety catch
- 3. Arm
- 4. Pressure plate
- 5. Safety chain
- 6. Chain lock for remote unlocking
- 7. Tensioning rope



1. Safety Regulations

1.1 Utilisation in Line with Safety Regulations

The Hebel scissor lifting unit may only be used for the transport of horizontal AAC wall panels. The wall panels must be sufficiently reinforced. No other type of use allowed. The lifting gear may only be used high above the ground if the safety chain is properly set. The wall panel lifting gear can be operated with any material handling lifting equipment of sufficient carrying capacity.

Refer to the loading certificate for the safe working load of the lifting unit.

- The carrying capacity of the material handling lifting equipment must be sufficient.
- **The safety chains must be set during transport above the ground.**
- **Do not use** the equipment to transport people
- **Do not allow people to remain within the danger area, especially under the load.**
- **Only reinforced and horizontal AAC panels may be transported. No other use allowed.**
- **The panel thickness must correspond to the clamping range indicated.**
- **Load and lifting gear must remain in horizontal position during transport.**
- **Do not carry out** any modifications or alterations.

The following is not permitted:

- **Do not lift** loads which have become stuck and which are likely to become trapped during the lifting process.
- **Do not allow** the load to break free, be pulled or dragged.
- **Do not transport** AAC elements without reinforcement.

1.2 Safety Guidelines

- Only personnel who have been fully trained or instructed in its use can operate the equipment.
- Operators must read in full and understand both the operating instructions and safety instructions prior to operation of the equipment.
- Store the operating instructions within easy reach where the equipment is used.
- **Do not remain within the danger area, especially under the load.**
- Prior to operation, the functioning and working condition of the material handling lifting equipment, the load hook and the wall panel lifting gear must be examined.
- Report damages and defects of the material handling lifting equipment, the load hook and the wall panel lifting gear to the relevant person immediately. Do not use the equipment until the damage has been repaired and the equipment approved for use.
- **Do not use** a damaged load hook. The load hook must be equipped with a safety lock.
- Avoid sudden movements or quick release when lifting or lowering loads.
- Only original spare parts may be used.
- **Do not remove** the model plate. Replace illegible or damaged plates.

If the user does not operate the equipment in accordance with the Operating Instructions, then the user assumes liability.

1.3 Operator's Duties

- Material handling lifting equipment and rigging equipment must be in a position to operate safely.
- **Do not exceed** the maximum carrying capacity of the material handling lifting equipment and the wall panel lifting gear: **safety hazard!**
- The operator must be able to see the entire working area, if not, seek assistance.
- Avoid sudden steering against a different crane movement to prevent the lifting gear slipping off of the swaying load.

Hebel Wall Panel Lifting Unit

1.4 Visual and Functional Inspection

- Prior to operation, the functioning and working condition of the material handling lifting equipment and the wall panel lifting gear must be examined. Should there be any defects which may affect the safety of the equipment, the wall panel lifting gear must only be used after repair.
- Examine screws, bolts and safety elements.
- In case of cracks in welding joints, distortions or other defects found with the wall panel lifting gear the equipment must be tagged for repair immediately: safety hazard!

1.5 Specification

The Hebel scissor lifting unit is designed for the handling of horizontally oriented AAC panels. The lifting gear can be operated with any material handling lifting equipment of sufficient carrying capacity. The safety chain must be engaged when lifting panels above the ground and at any time where injury or damage is possible in the event the lifted panel is dropped or falls.

The lifting gear is equipped with four pressure plates ensuring a high grip of the reinforced AAC panels due to their profiled surfaces. When the load is put down the lifting gear opens automatically.

| Model (size of unit) | Carrying capacity | Clamping Range min/max | Own weight |
|-------------------------|----------------------|------------------------------|------------|
| 125 | 500 kg | 75-125mm | 35kg |
| 250 | 800 kg | 125-250mm | 50kg |
| 300 | 800 kg | 200-300mm | 65kg |

1.6 Initial Operation

- Fit suspension eye directly in the crane hook and lift slowly.
- The thickness of the AAC panels must comply with the clamping range of the table mentioned above. The panels must be sufficiently reinforced for the transport.

Hebel Wall Panel Lifting Unit

1.7 Control

- The operator must make sure that the lifting gear is safely attached, the safety catch blocked and no people are remaining in the danger area.
- The operator must be able to see the entire working area, if not, seek assistance.
- Position lifting gear above the AAC panel and place it in its centre. It is recommended to mark the centre of the panel to ensure transport in horizontal position.
- Unlock safety catch by the handle and slowly and carefully lift load approx. 100mm. Make sure that the load is transported in horizontal position, otherwise there is a danger of the load being released! Immediately put down load and change position so that the centre of gravity is underneath the suspension eye.
- When the load is in horizontal position, slowly lift load for max 1m.
- Attached the safety chain when panel is lifted approx. 1m above the ground.
- The panel may then be transported (lifted) into position.
- Release safety chains when panel is near final position. Pull chains from beneath the panel. After putting down and securing the load, lower suspension eye until the safety catch blocks. Now remove the unloaded wall panel lifting gear.

1.8 Maintenance

To enable reliable operation of the lifting gear, the operating instructions must be followed and the following maintenance works must be regularly carried out prior to operation:

The wall panel lifting gear must be protected against water and humidity.

| What? | How? |
|-------------------------------|---|
| Dirt | Cleaning |
| Steel construction | Visual control for deformation |
| Weld seams | Visual control for cracks |
| Profile of pressure plates | Clean profiles, replace in case of heavy wear |
| Screws, nuts, safety elements | Tightening |
| Corrosion damages | Remove corrosion, colour with zinc spray |
| Joints, bolts | Control free move, clean, grease |
| Chains, chain fixing | Visual control for deformation |
| Safety elements | Visual and functional control |

Hebel Wall Panel Lifting Unit

If the operator find any defects with the lifting gear, he must ensure that the defects found are immediately repaired. If the user is not authorised to do so or if the user is not suitably qualified, he must stop the operation and must report the defect to the authorised person immediately.

1.9 Repairs

- Repairs must be only be carried out by specialists or by the manufacturer.
- Only original spare parts may be used, otherwise the warranty will become void.
- Do not carry out any alterations or modifications.
- A special inspection must be carried out by expert or by qualified personnel before the equipment can be operated again.

1.10 Inspections

Inspections carried out by the client/expert.

| When? | Who? |
|---|-----------------------------------|
| After delivery of the equipment | Complete inspection by the client |
| Prior to initial operation | Inspection by operator |
| Prior to each operation | Visual and functional inspection |
| Depending on operation conditions, at least once a year | Inspection by owner of equipment |
| After modifications, repairs | Inspection by owner and operators |

The authorised personnel must ensure that all inspections are recorded. If the wall panel lifting gear becomes dangerous to use as a result of damage o age, the client must ensure that the equipment is pulled out of operation and is disposed in accordance with guidelines.

1.11 Warranty and Liability

The warranty and the liability are no longer valid, if the equipment has not been assembled, installed, operated, checked and maintained according to these instructions.

Any doubts about instructions should be raised with the manufacturer prior to use.

Prior to every operation the user must ensure that

- The equipment is suitable for the intended operation,
- The functioning and working condition of the equipment is examined,
- The loads are suitable to be handled.

Failures are to be reported in writing to the supplier immediately, at the latest two weeks following delivery. It is unacceptable for the client to repair failures or have them repaired by a third party, and then request to be reimbursed for the costs.

According to the manufacturer's general contract conditions the equipment is under warranty for a period of six months from the invoice date. Wearing parts are not covered by the warranty.

The manufacturer is not responsible for any damage occurring in the event of an installation error or insufficient training by a third party, negligence, misuse or excessive stress of the equipment.

It is within the responsibility of the client to check prior to operation the functional condition of the equipment, the suitability of the load to be handled as well as any damage to the load before and after transport/installation.

The manufacturer does not take responsibility for any additional claims, for instance, the right to compensate for damage not caused to the equipment itself.